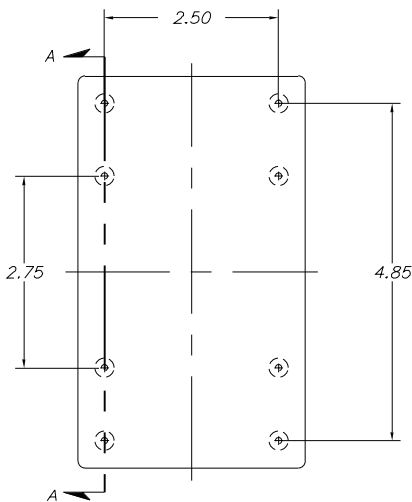
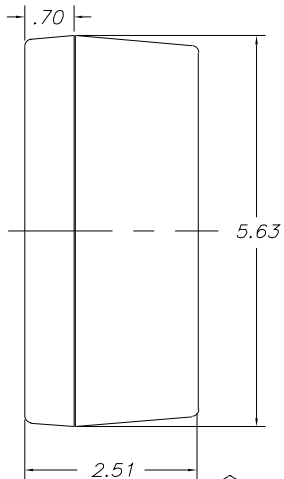


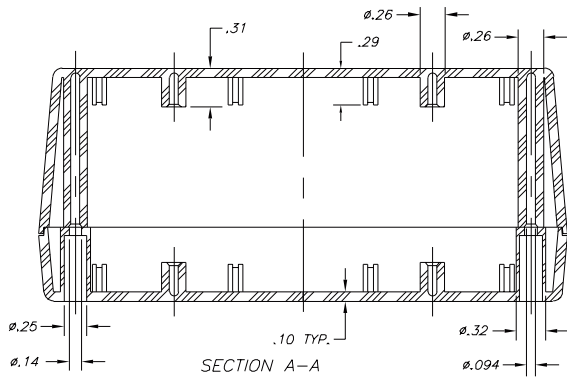
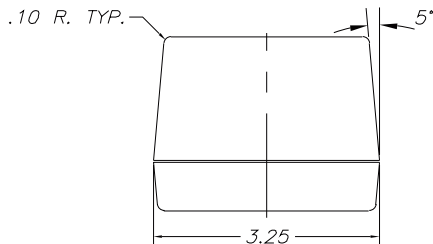
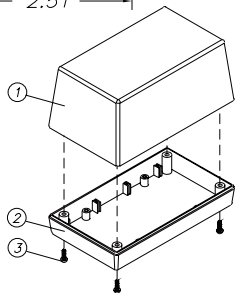
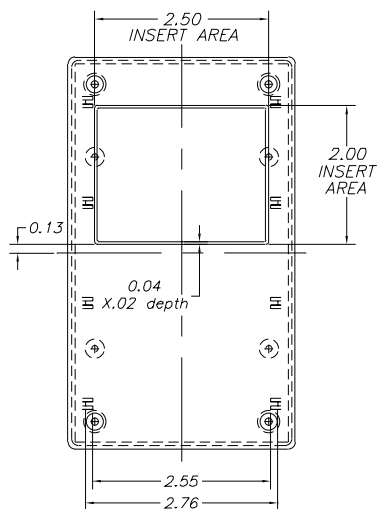
# SERPAC 153

Electronics Enclosures



**NOTES:**

1. WHEN MACHINE OR I PLATES MODIFICATIONS ARE REQUIRED, USE THE CENTER OF THE BOX TO DIMENSION.



8-17-98.

ALL DIMENSIONS ± .010

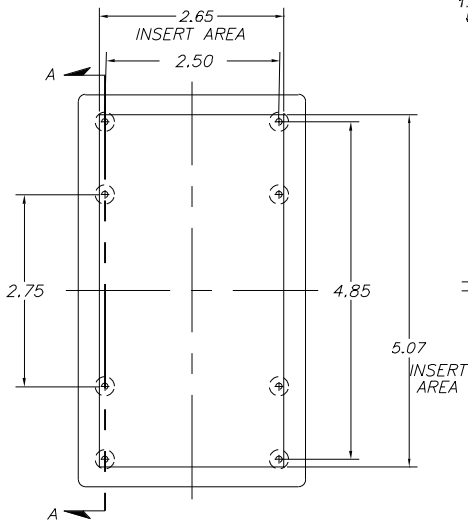
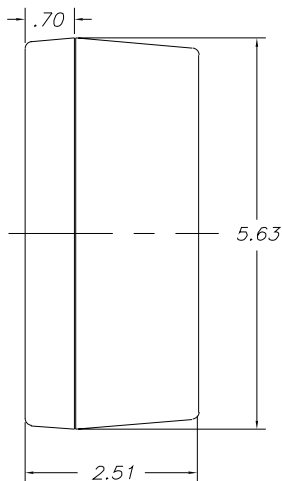
ITEM	PART NO.	DESCRIPTION	PART NO.	ACCESSORIES DESCRIPTION
1	53	PLASTIC TOP	50	FEET
2	15	PLASTIC BOTTOM	330	PROTOTYPE GRID BOARD (HORIZ.)
3	6005	SCREWS (4)	430	PROTOTYPE CLAD BOARD (HORIZ.)
			333	PROTOTYPE GRID BOARD (VERT.)
			433	PROTOTYPE CLAD BOARD (VERT.)
			PS-15	PERIMETER SEAL
			PC	POCKET CLIP

619 Commercial Ave. Covina, CA 91723

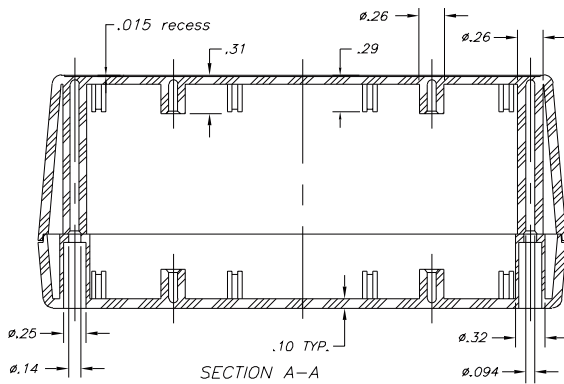
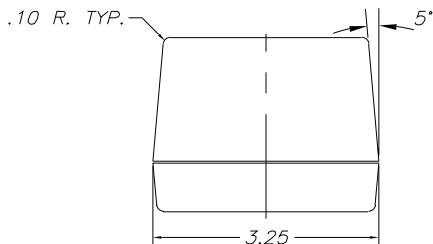
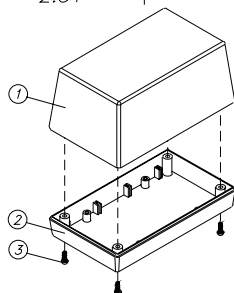
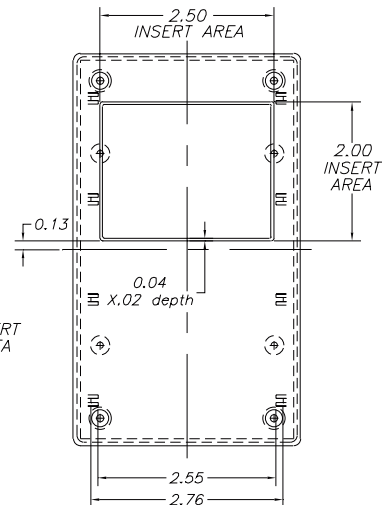
(626) 331-0517 Fax (626) 331-8584 <http://www.serpac.com>

# SERPAC 153-1

Electronics Enclosures



NOTES:  
1. WHEN MACHINE OR I PLATES MODIFICATIONS ARE REQUIRED, USE THE CENTER OF THE BOX TO DIMENSION.



8-17-98.

ALL DIMENSIONS ± .010

ITEM	PART NO.	DESCRIPTION	ACCESSORIES	
1	531	PLASTIC TOP	PART NO.	DESCRIPTION
2	15	PLASTIC BOTTOM	50	FEET
3	6005	SCREWS (4)	330	PROTOTYPE GRID BOARD (HORIZ.)
			430	PROTOTYPE CLAD BOARD (HORIZ.)
			333	PROTOTYPE GRID BOARD (VERT.)
			433	PROTOTYPE CLAD BOARD (VERT.)
			PS-15	PERIMETER SEAL
			PC	POCKET CLIP

619 Commercial Ave. Covina, CA 91723

(626) 331-0517 Fax (626) 331-8584 <http://www.serpac.com>